

Superior Air Performance

Standard Construction

Frame

4" x .081"(102 x 2.1) Extruded Aluminum (6063-T5)

Blades

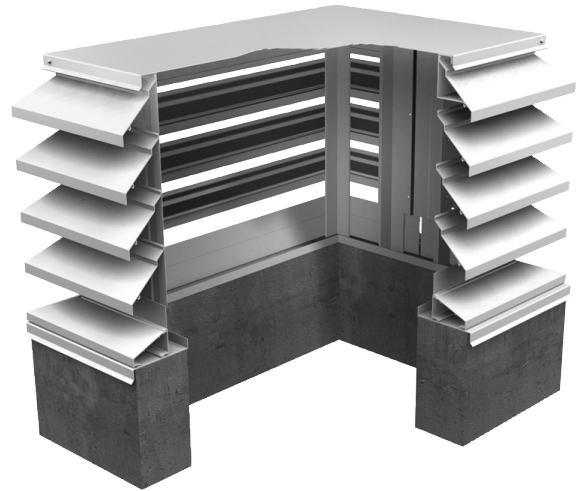
J Style Blades, .081"(2.1) Extruded Aluminum (6063-T5)
43° blade angle, 4"(102) blade spacing

Finishes

MILL

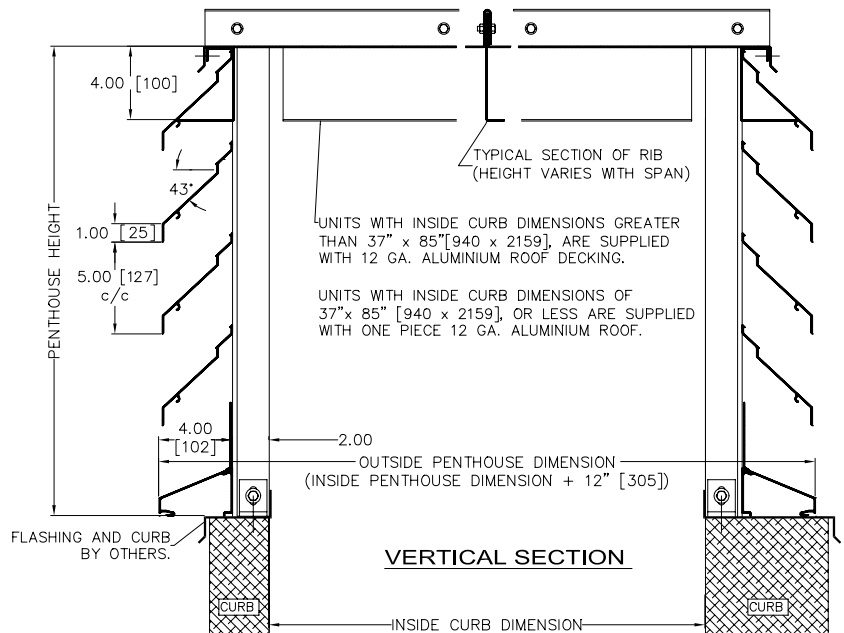
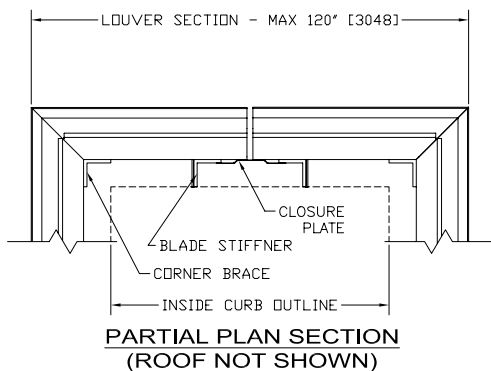
Penthouse Size Limits:

MAX. INSIDE CURB DIMENSION (LENGTH OR WIDTH)
108" [2743]
MAX. HEIGHT ABOVE CURB 70.65" [1795]
MIN. INSIDE CURB DIMENSION (LENGTH OR WIDTH)
16" [406]
MIN. HEIGHT ABOVE CURB 15.65" [398]
PENTHOUSE HEIGHT = MULTIPLES OF 5" [127] + 15.65" [398]



Available Options

- Extended Sill (loose) 14 GA. Aluminum
- Variety of Bird & Insect Screens
- Wide variety of Finishes including:
Baked Enamel, Duranar & Duranar XL,
Clear & Colour Anodize
- Roof Curb
- * Select from PRICE Colour Chart or provide
Colour sample to match



ALL-WELDED CONSTRUCTION



PROJECT			CUSTOMER			
ARCHITECT			ENGINEER			
SPEC. SYMBOL			DATE			
QTY	TAG	INSIDE CURB DIMENSION			OPTIONS	UNITS: <input type="checkbox"/> IMPERIAL <input type="checkbox"/> METRIC
		LENGTH	WIDTH	HEIGHT		